



KPT-801

Cinema Surround Speaker

OWNER'S MANUAL



IMPORTANT SAFETY INSTRUCTIONS

1. READ these instructions.
2. KEEP these instructions.
3. HEED all warnings.
4. FOLLOW all instructions.
5. DO NOT use this apparatus near water.
6. CLEAN ONLY with dry cloth.
7. DO NOT block any ventilation openings. Install in accordance with the manufacturer's instructions.
8. Do not install near any heat sources such as radiators, heat registers, stoves, or other apparatus (including amplifiers) that produce heat.
9. ONLY USE attachments/accessories specified by the manufacturer.
10. USE only with a cart, stand, tripod, bracket, or table specified by the manufacturer, or sold with the apparatus. When a cart is used, use caution when moving the cart/apparatus combination to avoid injury from tip-over.



DO NOT expose this apparatus to dripping or splashing and ensure that no objects filled with liquids, such as vases, are placed on the apparatus.



The exclamation point, within an equilateral triangle, is intended to alert the user to the presence of important operating and maintenance (servicing) instructions in the literature accompanying the product.



The lightning flash with arrowhead symbol within an equilateral triangle, is intended to alert the user to the presence of uninsulated "dangerous voltage" within the product's enclosure that may be of sufficient magnitude to constitute a risk of electrical shock to persons.

WARNING: To reduce the risk of fire or electrical shock, do not expose this apparatus to rain or moisture.

WARNING: No naked flame sources - such as candles - should be placed on the product.



WARNING: Do Not Open! Risk of Electrical Shock. Voltages in this equipment are hazardous to life. No user-serviceable parts inside. Refer all servicing to qualified service personnel.

EU COMPLIANCE INFORMATION:

Eligible to bear the CE mark, Conforms to European Union EMC Directive 2004/108/EC.

WEEE NOTICE

Note: This mark applies only to countries within the European Union (EU) and Norway.



This appliance is labeled in accordance with European Directive 2002/96/EC concerning waste electrical and electronic equipment (WEEE). This label indicates that this product should not be disposed of with household waste. It should be deposited at an appropriate facility to enable recovery and recycling.

KPT-801

The Klipsch KPT-801 is a two-way design using a high performance bass driver for the low frequencies. A Tractrix Horn with a 90° x 90° coverage pattern is attached to a 1" diameter compression driver for clean and efficient reproduction of the high and midrange frequencies.

WALL MOUNTING

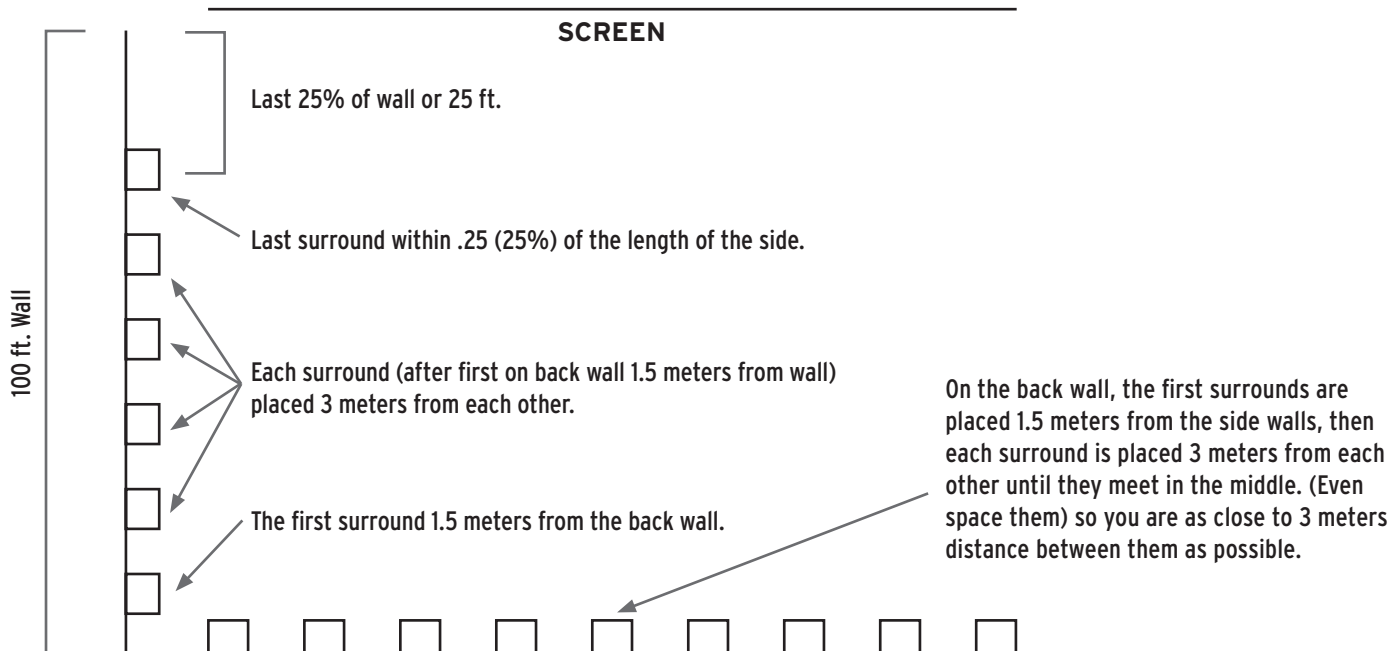
Included with your speakers are "C" style mounting brackets constructed of powder-coated zinc. These brackets attach to the speaker with the supplied low profile knobs that thread onto the top and bottom studs protruding from the cabinet. This allows the speaker to be angled to the left or right when mounted vertically, or up and down when mounted horizontally. When mounting horizontally, lock nuts are provided for both studs for optimum speaker stability.

After determining the desired location and orientation of your speakers, remove the bracket from the loudspeaker and use it as a template to mark the location of the mounting holes. Check the alignment of the holes with a torpedo level before drilling the pilot hole. Please observe local and/or federal codes in securing the bracket, especially when suspending objects above people's heads. Once the bracket is secured, affix the speaker to the bracket with the supplied knobs. Be sure to leave enough clearance between the end of the bracket and any adjacent wall or ceiling for installation of the knobs.

If a wall stud is not available, use the appropriate type of drywall or masonry anchor to support the weight of the speaker, allowing for a generous safety margin. Please consult your dealer, custom installer or building contractor in these situations.

You may also use an optional wall or ceiling mount that will fit the provided 3/8" - 16 inserts.

PLACEMENT

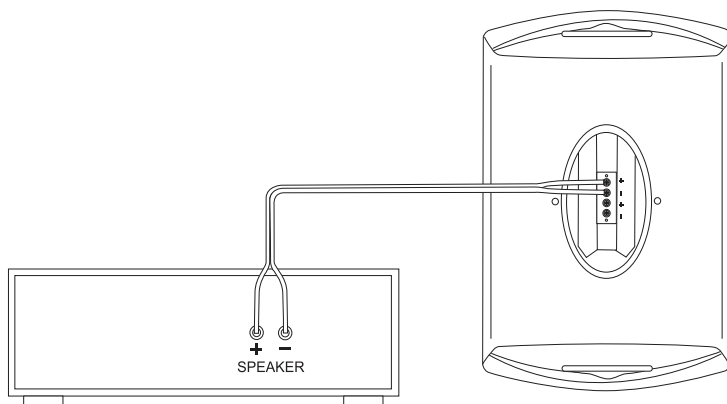


CONNECTIONS

When making any type of speaker wire connection, be sure to observe proper polarity. Most speaker wire and connectors are color-coded. Typically, red is positive (+) and black is negative (-), or ground. It does not matter which wire conductor is connected to the positive or negative connection of your equipment as long as it is consistent.

TYPES OF CONNECTORS

Your speaker is equipped with barrier strip connectors for inputs. Make sure that there is no metal-to-metal contact between the two lugs. Failure to observe this precaution at either end of the connection can result in amplifier malfunction or damage.



Klipsch[®]
KEEPERS OF THE SOUND[™]

3502 WOODVIEW TRACE, INDIANAPOLIS, IN, USA
KLIPSCH.COM

©2013, Klipsch Group, Inc.
Klipsch Group, Inc. is a wholly-owned
subsidiary of Vox International Corporation.